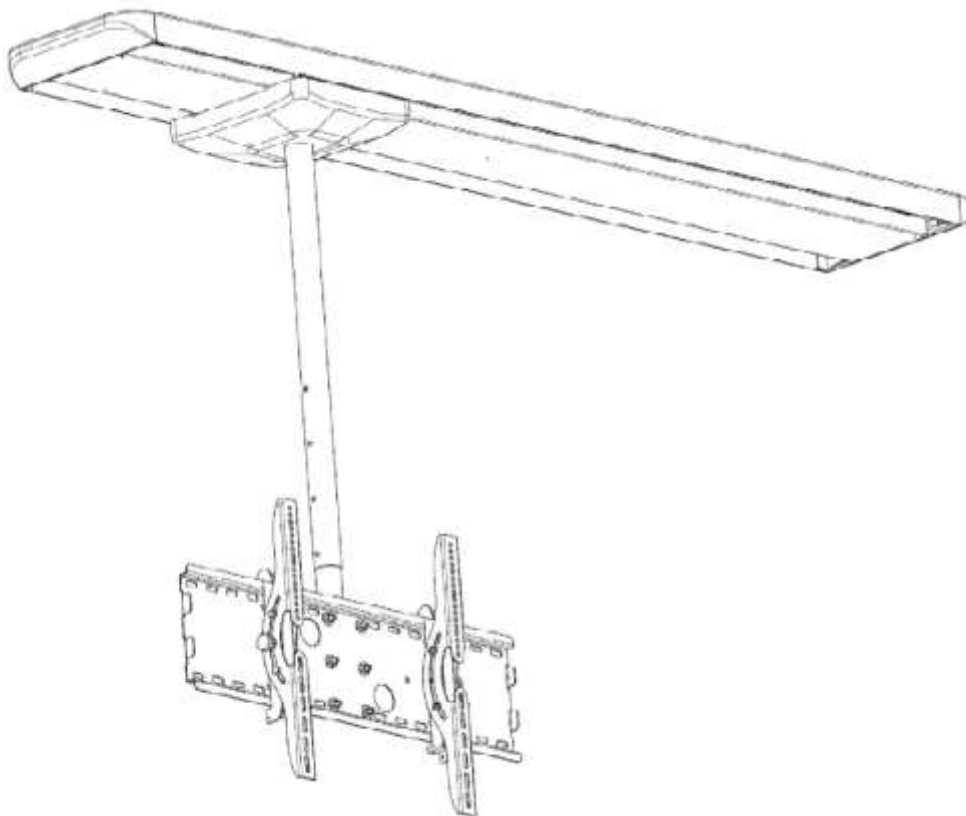


SCREENTRAIN

TECHNICAL DATA SHEET

TV-ceiling mount ScreenTrain



HP Design GmbH
Frankfurter Ring 193A, 80807 Munich (GER)
info@hp-design.solutions - www.screentrain.net

Content

General data	2
Material	2
Usage	2
TV-compatibility	3
Delivery	3
Dimensions	4
Movement	5
Rotational-/Tilting movement	6
Weight	6
Cabling	7

General data

TV ceiling mount	up to 85 inches
Maximum carrying weight	up to 60kg
Dead weight *	25 to 50,5kg
Integrated cable management	available
Screw pattern TV-mount	VESA-standard up to max. 600x400 (downwards compatible included)

* depending on *ScreenTrain* variant (length of unit)

Material

Guiding rails	anodized aluminum
Baseplate	powder coated steel
Vertical mount	powder coated steel
Main- and Sidecovers	plastic

Usage

The *ScreenTrain* is a sliding screen mount. The ceiling mount allows a linear movement of the TV up to 3.6m. Furthermore, the height of the television can be adapted to the spatial conditions during installation by means of the vertical support. Tilting the TV up to +/- 15 ° as well as rotating it through 360 ° is also possible.

Three *ScreenTrain* variants are available for customers.

- 2m-ScreenTrain
- 3m-ScreenTrain
- 4m-ScreenTrain

The respective length specification refers to the rail length. For further details please refer to "Dimensions" (page 4).

TV-compatibility

The *ScreenTrain* is compatible with almost all TVs in terms of mounting points on the TV. To make this possible, the VESA standard was taken into consideration during development. VESA is the international standard for mounting LCD / Plasma screens.

The TV ceiling mount is compatible with VESA standards up to 600x400mm.

Delivery

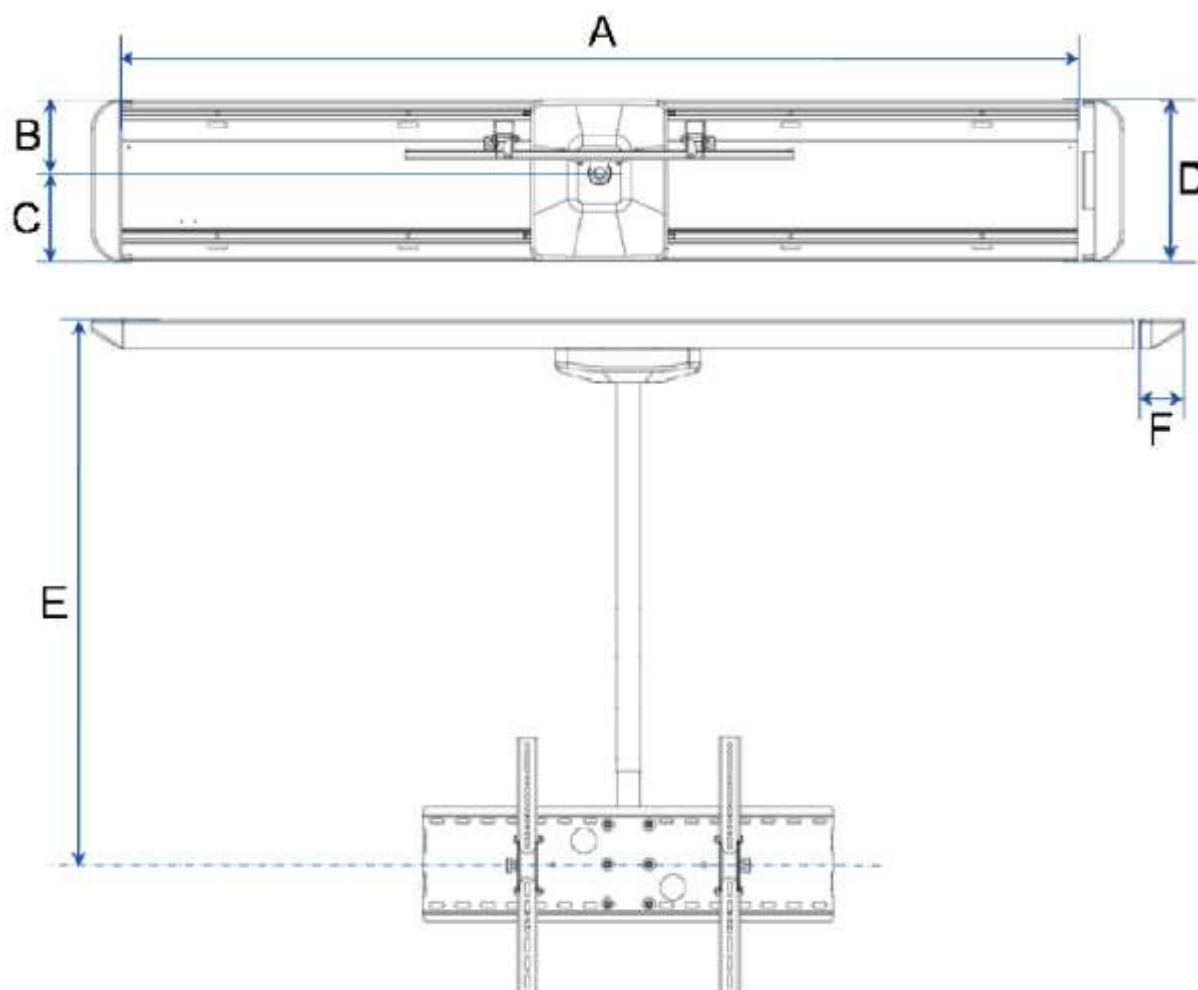
The *ScreenTrain* is delivered pre-assembled. The installation should be done by trained professionals.



Note

Installation without appropriate specialist personnel is not recommended.

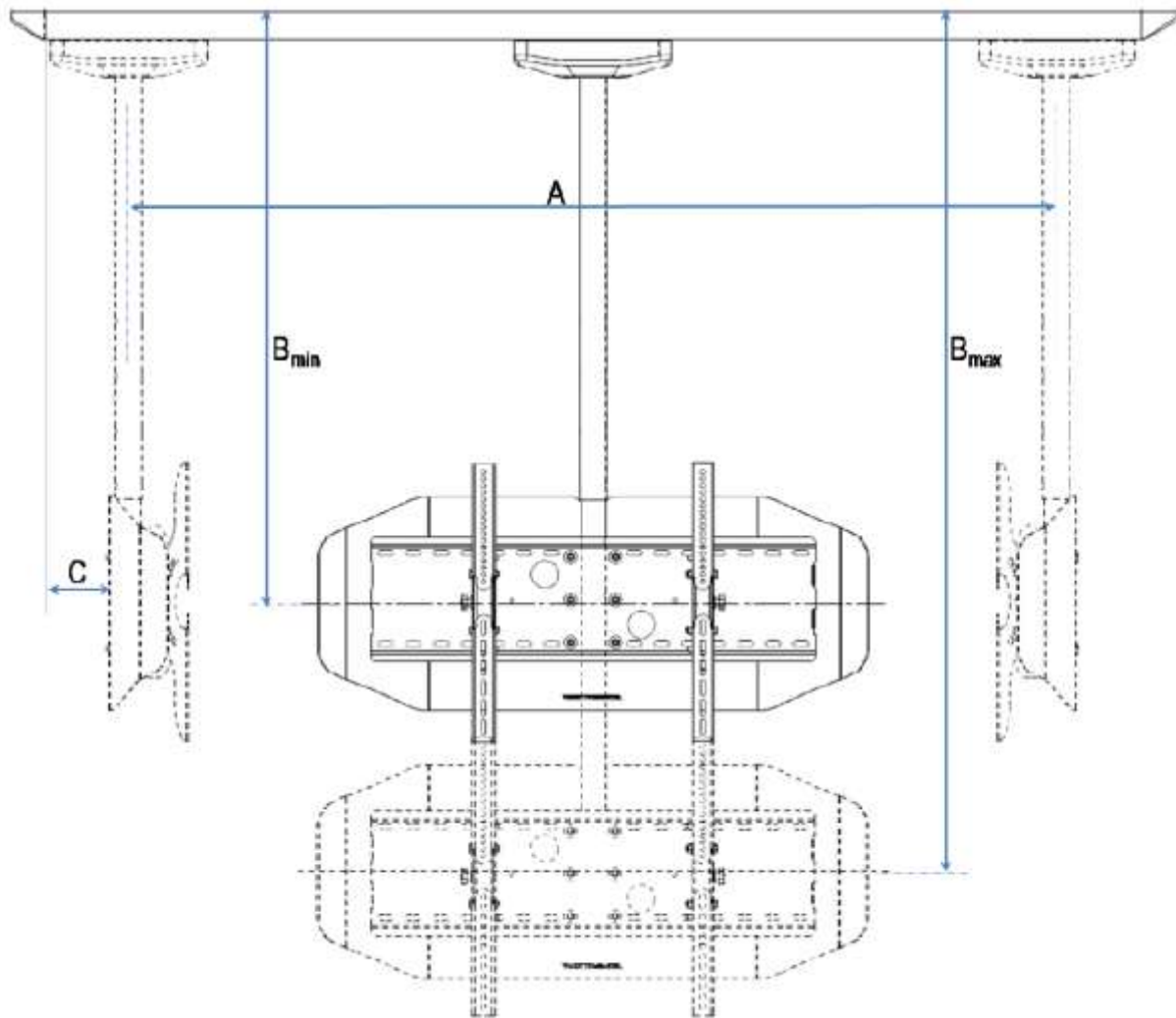
Dimensions



	A	B	C	D	E	F
2m-ScreenTrain	198cm	15,2cm	18,3cm	33,5cm	min. 110cm, max. 160cm	6,3cm (+2,3cm)*
3m-ScreenTrain	298cm	15,2cm	18,3cm	33,5cm	min. 110cm, max. 160cm	6,3cm (+2,3cm)*
4m-ScreenTrain	398cm	15,2cm	18,3cm	33,5cm	min. 110cm, max. 160cm	6,3cm (+2,3cm)*

* () Dimension of insertion for (dis) mounting the side cover

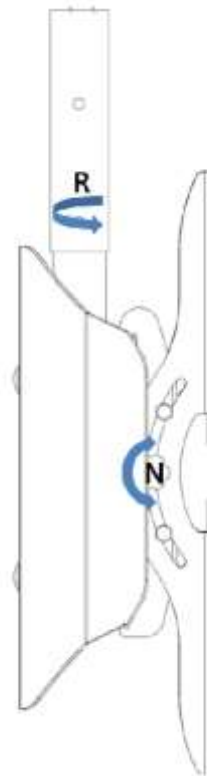
Movement



	A	B_{min}	B_{max}	C
2m-ScreenTrain	1,6m	1,1m	1,6m	15,5cm
3m-ScreenTrain	2,6m	1,1m	1,6m	15,5cm
4m-ScreenTrain	3,6m	1,1m	1,6m	15,5cm

By freely adjustable stoppers, it is possible to lock the *ScreenTrain* in a freely selectable position in the longitudinal direction.

Rotational-/Tilting movement



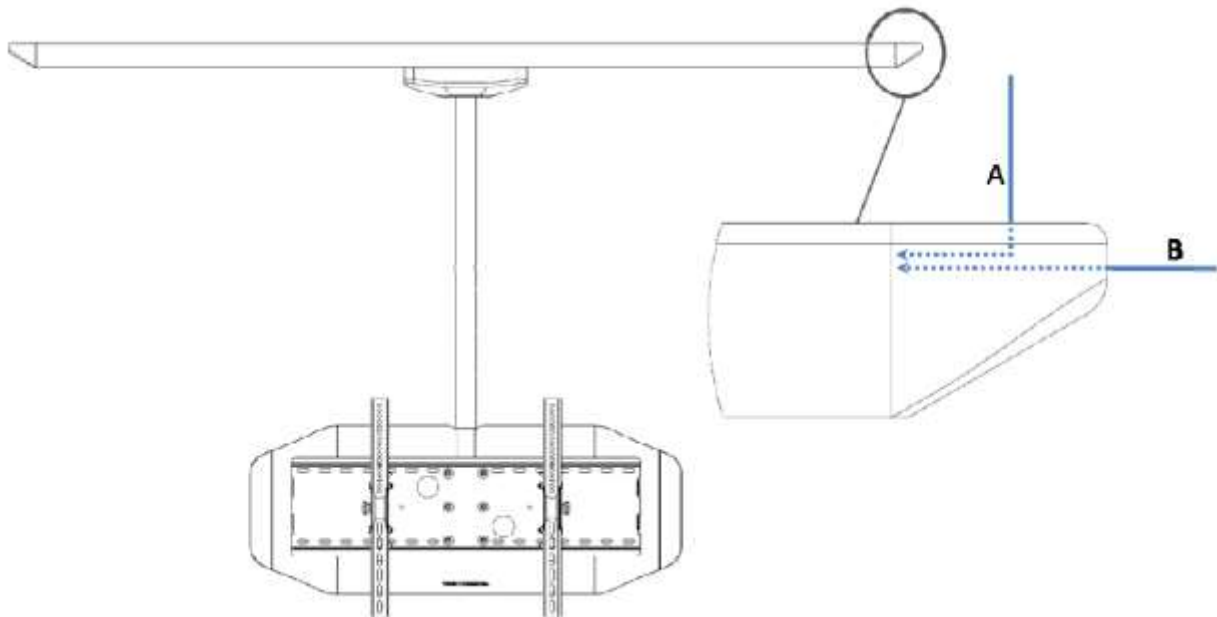
	R (rotation)	N (tilt)
2m-ScreenTrain	360 ° infinitely	+/- 15° infinitely *
3m-ScreenTrain	360 ° infinitely	+/- 15° infinitely *
4m-ScreenTrain	360 ° infinitely	+/- 15° infinitely *

* () For TVs larger than 55-inch, the infinitely adjustable tilt is reduced to +/- 11 °

Weight

	Weight
2m-ScreenTrain	25kg
3m-ScreenTrain	37,75kg
4m-ScreenTrain	50,5kg

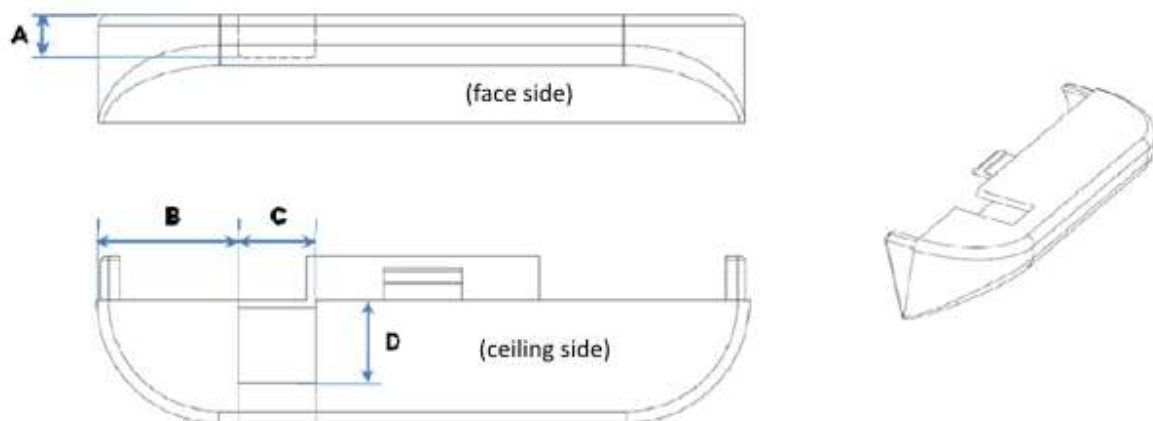
Cabling



The *ScreenTrain* is delivered in the preassembled state. All cables specified by the customer when placing the order are already integrated into the TV-ceiling mount. The connection of the *ScreenTrain* to the environment can be done in two ways.

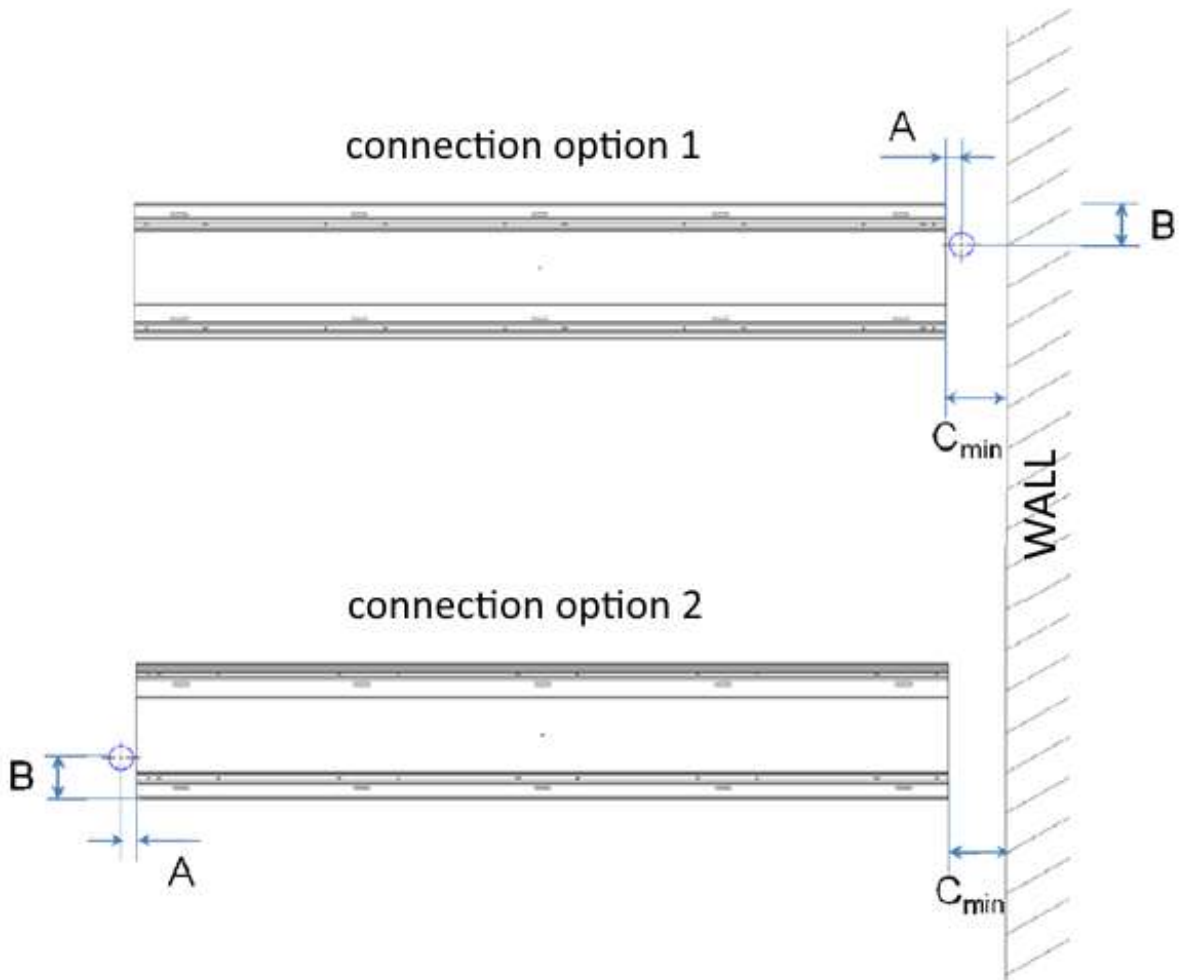
- A: ceiling side
- B: face side

For both variants, a corresponding opening in the side cover is provided.



	A	B	C	D
2m-ScreenTrain	2,2cm	7,3cm	4,0cm	4,3cm
3m-ScreenTrain	2,2cm	7,3cm	4,0cm	4,3cm
4m-ScreenTrain	2,2cm	7,3cm	4,0cm	4,3cm

For the cabling on the ceiling, the following positioning of the exiting cables from the ceiling should be considered. You can choose between two connection options. The displayed view shows the *ScreenTrain* from below.



	A	B	C _{min} *
2m-ScreenTrain	2,2cm	9,3cm	8,8cm
3m-ScreenTrain	2,2cm	9,3cm	8,8cm
4m-ScreenTrain	2,2cm	9,3cm	8,8cm

*()without side covers



Note

When laying the supply lines, make sure that the ends protruding freely from the ceiling, which are inserted into the *ScreenTrain*, are approx. 15cm long.

If the *ScreenTrain* is mounted on a wall on the front side on which the cables are also inserted into the *ScreenTrain*, care must be taken that a minimum distance of 2.3 cm is maintained between the side cover and the wall. Only in this way can the (de) mounting of the cover be done.